

ITW Challenger™

Quality Hot-Melt Parts



Spare Parts LIST 2015 Eastern Europe

Replacement Modules for Nordson® H200 Automatic Guns



Nordson®	ITW Challenger
276119	50.07210.100



Nordson®	ITW Challenger
Easy on H200 modul	50.07210.100EO

Replacement Blank Module for Nordson® H200 Applicator Gun



Nordson®	ITW Challenger
276119	50.00857.100

Replacement Modules for Nordson® H440 Automatic Guns



Nordson®	ITW Challenger
328664	50.07057.100

Replacement Modules for Nordson® Spray Gun



Nordson®	ITW Challenger
144906	50.07218.100

+ Spray Nozzle 50.02910.100

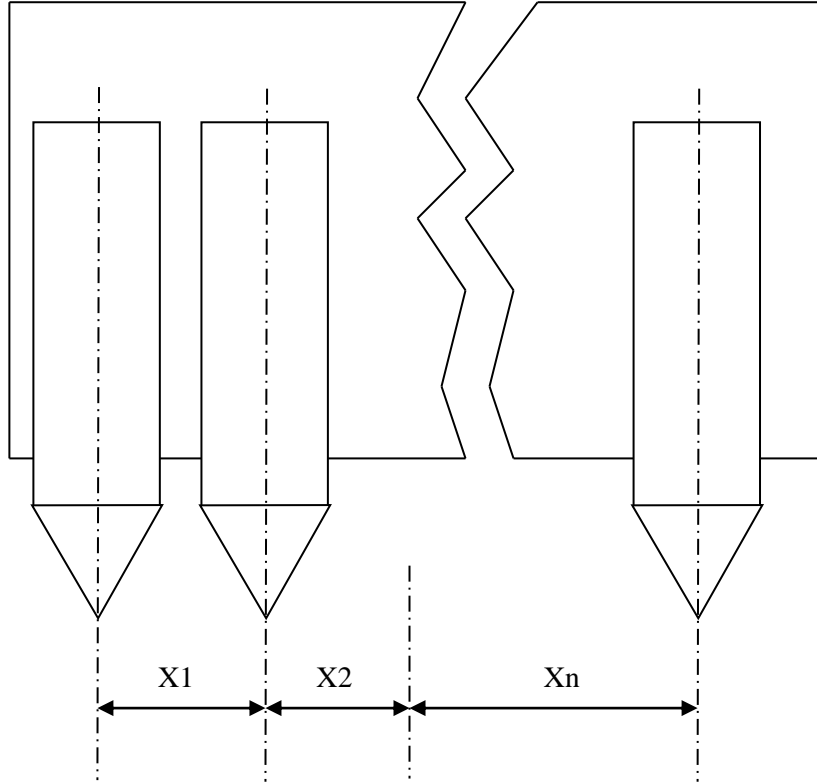
Replacement Applicator (without Module, solenoid valve) for H20 and H201 Series Applicators



Nordson®	ITW Challenger	For Series
	50.07208.100	H201

Request form

H200 series gun body



H20n -T ; x1, x2, ...,xn; ,

n- number of moduls

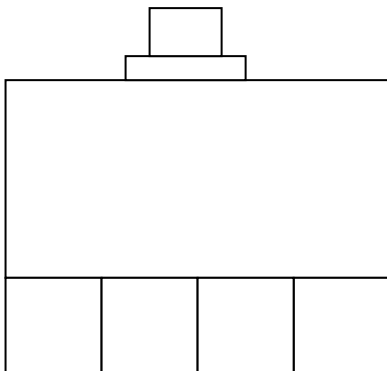
x1, x2,..., xn – centerline distance between the modules in mm

- C A or I A

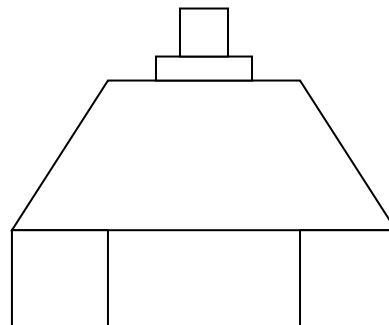
C A – common air (1 solenoid valve)

I A – independent air (2 or more solenoid valves)

Standard H204 T body



Low profile body (H202 T LP)



Hoses for Nordson® 2300, 3000 and 6000 Adhesive Supply Units used with Automatic Applicators



Nordson®	ITW Challenger	Length in m/ft.
107288/274791	100120	1,2 / 4
107286/274792	100121	1,8 / 6
107287/274793	100122	2,4 / 8
107289/274794	100123	3,0 / 10
107310/274795	100124	3,6 / 12
104008/274796	100125	4,8 / 16
100832/274797	100126	7,0 / 24

Splash proof.

Nordson®	ITW Challenger	Length in m/ft.
155183/276740	104142	1,2 / 4
155184/276741	104143	1,8 / 6
155185/276742	104144	2,4 / 8
155186/276743	104145	3,0 / 10
	104146	3,6 / 12
155188/276744	104147	4,8 / 16
	104148	6,0 / 20
155189/276745	104149	7,0 / 24

Single Orifice Short Engagement Nozzles for Nordson® H-200, H400, AD24 Automatic Guns and H21 Handguns



Nordson®	ITW Challenger	Orifice Size mm/inch	Engagement mm/inch
322008	50.02501.100	.20/.008	1.3/.050
322010	50.02503.100	.25/.010	1.3/.050
322012	50.02504.100	.31/.012	1.3/.050
322014	50.02505.100	.36/.014	1.3/.050
322016	50.02507.100	.41/.016	1.3/.050
322018	50.02508.100	.46/.018	1.3/.050
322020	50.02509.100	.51/.020	1.3/.050

Single Orifice Long Engagement Nozzles for Nordson® H-200, H400, AD24 Automatic Guns and H21 Handguns



Nordson®	ITW Challenger	Orifice Size mm/inch	Engagement mm/inch
322412	50.02001.100	.31/.012	7.6/.300
322414	50.02002.100	.36/.014	7.6/.300
322416	50.02003.100	.41/.016	7.6/.300
322418	50.02005.100	.46/.018	7.6/.300
322421	50.02006.100	.53/.021	7.6/.300
322424	50.02007.100	.61/.024	7.6/.300
322428	50.02008.100	.71/.028	7.6/.300

90° Single Orifice Nozzles for Nordson® H-200, H400, AD24 Automatic Guns and H21 Handguns

Nordson®	ITW Challenger	Orifice Size mm/inch	Engagement mm/inch
	50.03902.100	.20/.008	
	50.03903.100	.25/.010	
320012	50.03904.100	.31/.012	
320014	50.03905.100	.36/.014	
320016	50.03906.100	.41/.016	
320020	50.03907.100	.51/.020	
320028	50.03908.100	.71/.028	
	50.03909.100	.61/.024	



Dual Orifice Nozzles for Nordson® H200, H400, AD24 Automatic Guns and H21 Handguns



Nordson®	ITW Challenger	Orifice Size mm/inch	Angle
	50.01122.100	.21/.008	45°
	50.01123.100	.25/.010	45°
238526	50.01124.100	.31/.012	45°
238527	50.01125.100	.36/.014	45°
238528	50.01126.100	.41/.016	45°
	50.01127.100	.46/.018	45°
238530	50.01128.100	.51/.020	45°
	50.01129.100	.73/.029	45°
238506, 702085	50.01154.100	.31/.012	30°
704936	50.01155.100	.36/.014	30°
114928	50.01156.100	.41/.016	30°
805512	50.01157.100	.46/.018	30°
238500	50.01158.100	.51/.020	30°
	50.01159.100	.61/.024	30°
238501	50.01160.100	.76/.030	30°

90° Dual Orifice Nozzles for Nordson® H-200, H400, AD24 Automatic Guns and H21 Handguns



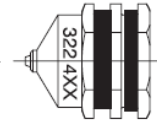
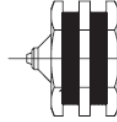
Nordson®	ITW Challenger	Orifice Size mm/inch	Angle
165776	50.04914.100	.31/.012	15°
320112	50.04914.100	.31/.012	15°
273384	50.04915.100	.36/.014	15°
320114	50.04915.100	.36/.014	15°
804047	50.04916.100	.41/.016	15°
320116	50.04916.100	.41/.016	15°
271938	50.04917.100	.51/.020	15°
320120	50.04917.100	.51/.020	15°
165779	50.04918.100	.71/.028	15°
320128	50.04918.100	.71/.028	15°
270698	50.04924.100	.31/.012	30°
320212	50.04924.100	.31/.012	30°
270699	50.04925.100	.36/.014	30°
320214	50.04925.100	.36/.014	30°
270700	50.04926.100	.41/.016	30°
320216	50.04926.100	.41/.016	30°
709786	50.04927.100	.51/.020	30°
320220	50.04927.100	.51/.020	30°
808792	50.04928.100	.71/.028	30°
320228	50.04928.100	.71/.028	30°

Precision Nozzles

Saturn Nozzles for Blue Series, H-400 and H-200 Modular Automatic Guns, E-350 and E-380 Electric Guns

Saturn Nozzles

Saturn – Color-Coded Rings



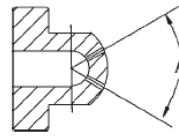
Single Orifice – 322XXX

Single Orifice – 3224XX

Single Orifice (Bead), straight, brass with stainless steel insert (Replaces 237XXX nozzles)

Orifice Diameter mm (inches)	Engagement, Length in inches (mm)				
	Purple 0.050 (1.3) Part Number	Brown 0.075 (1.9) Part Number DISCONTINUED	Blue 0.100 (2.5) Part Number DISCONTINUED	Green 0.150 (3.8) Part Number DISCONTINUED	Black 0.300 (7.6) Part Number
.20 (0.008) Purple	322008				
	50.02501.100				
.25 (0.010) Blue	322010	322110			
	50.02503.100	CN1430			
.31 (0.012) Green	322012	322112	322212	322312	322412
	50.02504.100	CN1431		50.03514.100	50.02001.100
.36 (0.014) Yellow	322014	322114	322214	322314	322414
	50.02505.100	CN1432		50.03915.100	50.02002.100
.41 (0.016) Orange	322016	322116	322216	322316	322416
	50.02507.100	CN1433		50.03916.100	50.02003.100
.46 (0.018) Red	322018	322118	322218	322318	322418
	50.02508.100	CN1434			50.02005.100
.51 (0.020) Beige	322020	322120	322220	322320	
	50.02509.100			50.03917.100	
.53 (0.021) Brown					322421
					50.02006.100
.61 (0.024) Gray	322024	322124	322224	322324	322424
	CN1436	CN1437	CN1446	50.03918.100	50.02007.100
.71 (0.028) Black					322428
					50.02008.100

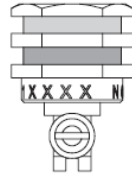
Dual Orifice (Bead) nozzles, angled patterns, phosphor bronze⁽¹⁾



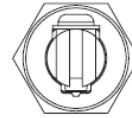
Dual (2380XX)

Orifice Diameter mm (inches) Dual Patterns (2 beads)	Degree of Angle			
	15° Part Number	20° Part Number	30° Part Number	45° Part Number
0.31 (0.012)	238053	238062	238506	238526
			50.01154.100	50.01124.100
0.36 (0.014)	238063	715190	704936	238527
			50.01155.100	50.01125.100
0.41 (0.016)	238054	114927	114928	238528
			50.01156.100	50.01126.100
0.46 (0.018)	130495	238067	805512	238529
			50.01157.100	50.01127.100
0.51 (0.020)	238055		238500	238530
			50.01158.100	50.01128.100
0.76 (0.030)	238056		238501	238531
			50.01160.100	50.01129.100

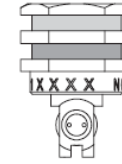
Single and dual orifice right-angle (1011XXX)



Saturn 1011XXX



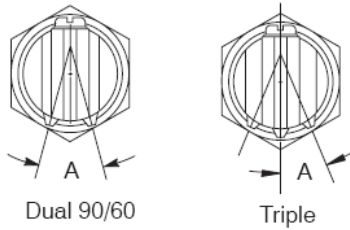
Right-Angle Single



1015XXX

Saturn (1011XXX), Right angle brass adapter, stainless steel insert											
Orifice Diameter mm (in.), Bottom Ring color											
Nozzle Angle	0.20 (0.010) Purple	0.25 (0.012) Blue	0.31 (0.014) Green	0.36 (0.014) Yellow	0.41 (0.016) Orange	0.46 (0.018) Red	0.51 (0.002) Beige	0.61 (0.024) Gray	0.71 (0.028) Black	0.81 (0.032) Gold	1.02 (0.040) Tur - quoise
Single 90° Purple	1011008	1011010	1011012	1011014	1011016	1011018	1011020	1011024	1011028	1011032	101040
	50.03902.100	50.03903.100	50.03904.100	50.03905.100	50.03906.100		50.03907.100	50.03909.100	50.03908.100		
Dual 15° Brown			1015812	1015814	1015816	1015818	1015820	1015824	1015828		
			50.04914.100	50.04915.100	50.04916.100		50.04917.100		50.04918.100		
Dual 30° Blue			1015912	1015914	1015916	1015918	1015920	1015924	1015928		
			50.04924.100	50.04925.100	50.04926.100		50.04927.100		50.04928.100		

Right Angle Nozzles Brass holder, stainless-steel insert



Orifice Diameter mm (inches)	Number of Beads & I	
	Dual Bead 90/60°	Triple Bead 19°
.31 (.012)	165783	165786
.36 (.014)	710591	165787
.41 (.016)	809882	806540
.51 (.020)	165784	808625
.71 (.028)	165785	

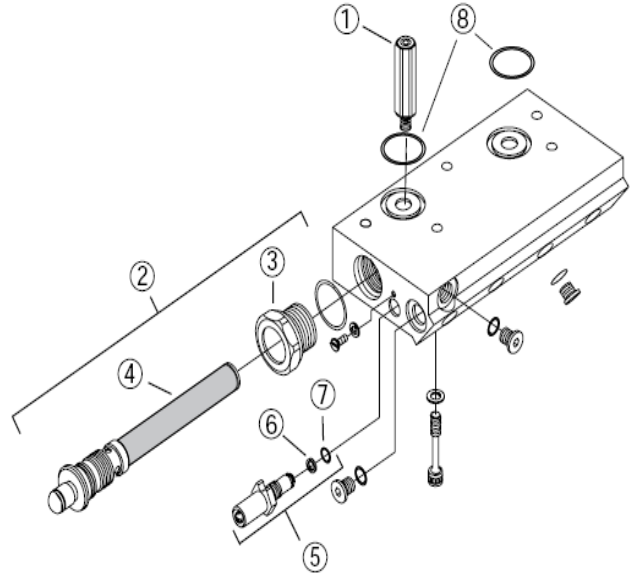
Orifice Diameter mm (inches)	Number of Beads & Degree of Angle		
	Dual Bead 90/60°	Triple Bead 19°	Triple Bead 22.5°
.31 (.012)	165783	165786	165788
.36 (.014)	710591	165787	806199
.41 (.016)	809882	806540	165789
.51 (.020)	165784	808625	
.71 (.028)	165785		

FILTERS

Position 4.

Manifold Assembly A

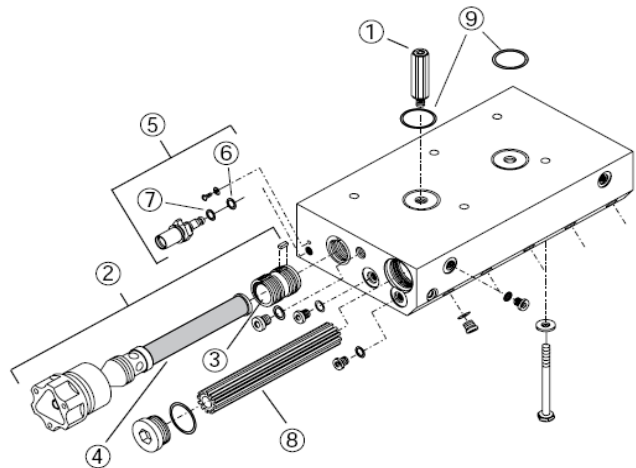
Nordson®	ITW Challenger	Disc.
274578	CF1002	Filter
941172	N941172	O ring



Position 4.

Manifold Assembly B

Nordson®	ITW Challenger	Disc.
274578	CF1002	Filter
941201	N941201	O ring



Filter bung assembly, complete.

For ProBlue series (4, 7 and 10 Liter) and
DuraBlue series (4, 10 and 16 Liter)

Part number: SPCVE 018



**Filter Assy, 100 Mesh
(package unit 10pcs)**

Nordson®	ITW Challenger
271599	50.06002.100 CF6002



In-line FILTERS



Straight



90°



45°

Nordson®	ITW Challenger	Degree/mesh
	50.CF1008.100	45°, 100 mesh
	50.CF1009.100	45°, 200 mesh
	50.CF1011.100	90°, 100 mesh
	50.CF1012.100	90°, 200 mesh
	50.CF1005.100	Straight, 100mesh
	50.CF1006.100	Straight, 200mesh

O ring for integrated filter heads and new type in-line filters:

Part number: 50.P8850.100

In-line filter for Nordson® filters with O ring

Part number: AT-1027 (N1007037)



HEATER



ITW Challenger	Description
50.07615.100 N938123	Dia. 3/8" Length 34 mm 150 W 240V
50.07616.100	Dia. 1/2" Length 34 mm 200W 240V
50.07635.100	Dia. 3/8" Length 80 mm 160W 240V
50.07636.100	Dia. 3/8" Length 80 mm 250W 240V
50.07637.100	Dia. 3/8" Length 90 mm 250W 240V
50.07638.100	Dia. 3/8" Length 135 mm 315W 240V
50.07646.100	Dia. 3/8" Length 60 mm 315W 240V
50.07648.100	Dia. 6,5mm Lg. 40 mm 125W 240V

SOLENOIDS



Nordson®	ITW Challenger	Disc.
648520	50.06701.100	3/2 ways, 24Vdc 8,5 W
	50.06735.100	5/2 ways, 24Vdc, 12,7 W

CONNECTOR

Nordson®	ITW Challenger	Description
	50.P8609.100	Connector straight
	50.P8621.100	Connector 90°
	50.G8610.100	Connector 135°

ACCESSORIES

Nordson®	ITW Challenger	Description
	50.0852.100	Adapter plate J8 to M9
	50.0857.100	Replacement Blank Module
901924	50.06800.100	Cleaning Needles 10 pcs.
940101	50.07135.100	O-Ring for J8 10 pcs.
	50.07199.100	O-Ring for M9 10 pcs.

CORDSET



Nordson®	ITW Challenger	Description
	50.07497.100	Connection Kit N-compatible
	50.07700.100	Sensor NI120
	50.09294.100	Connection Kit N-compatible splash-proof

**OLD version: Adhesive Supply Unit Quattro with
9 kg Volume and 4 Hose Connections**



ITW Challenger	Description	
110700	Adhesive Supply Unit Quattro	NO LONGER AVAILABLE

**NEW PRODUCT (from January 23rd, 2013)
DynaPack™ Adhesive Supply Unit**

Unit Price: 4.140,00EUR



DynaPack™

Quattro Spares and Accessories

ITW Challenger	Description
110743	Electronic Board Temperature Control
108566	Fuse FF 6,3A, 5 x 20
110720	Temperature Sensor Hopper
110747	Switch
CF1002	Filter for Manifold
110755	Hopper Filter Cartridge
110907	Solenoid 3/2 for pump release
CA1008	Over pressure valve
110912	Pressure regulator with gauge for airmotor
111745	Pump with airmotor complete
112129	Pump with airmotor complete with solenoid valve
110707	Filter bung to Quattro (filter screw, support, filter, O ring)

HQ IASG Kft



Address:

Hungary H- 2119 Pécel,
Határ u. 3. V. ép.

Attila KISHONTI

Commercial director

attila.kishonti@iasg.hu

+36-20-474-7479

Gabor ČISAR

Sales Engineer

gabor.csisar@iasg.hu

+381-63-172-3892

+36-20-437-8399

Service:

Attila VLADÁR

Service Technician

vladar.attila@iasg.hu

+36-20-969-7788

Office

Andrea LÁNYI

Sales Assistant

lanyi.andrea@iasg.hu

+36-20-264-3207

Your Contact: